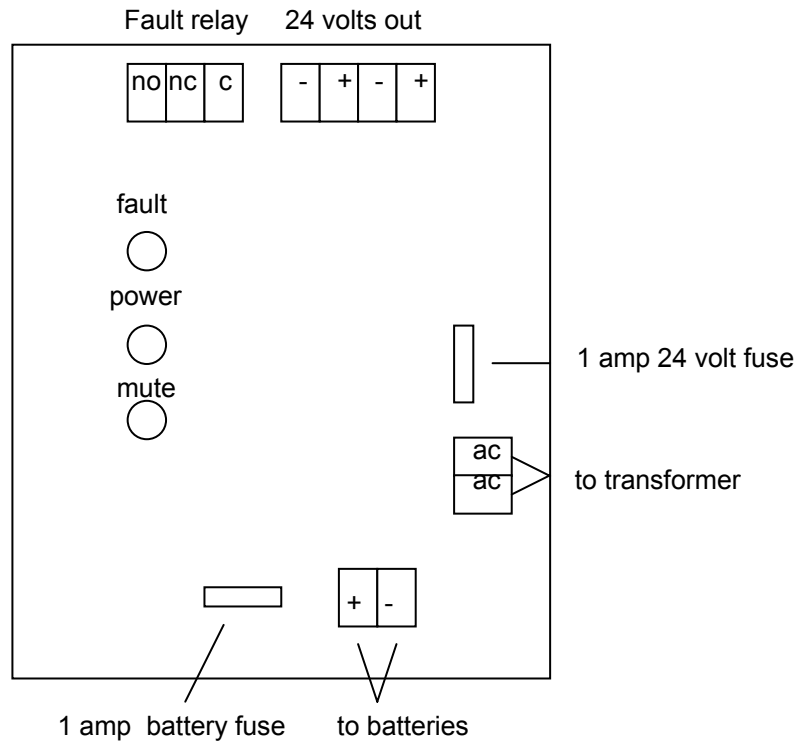


1 Amp Power Supply Operating Instructions

Connection Diagram



SPECIFICATIONS

- 1 Amp 24 volt DC.
- Charging /space capability for two 3ah batteries.
- Fault indication with buzzer and mute button.
- Fault relay with volt free contacts.

DISPLAY

Power - Supply Healthy.
Fault - power Fault.
Mute - Silence Buzzer.

In normal condition the power light will be on.

In fault condition , the buzzer will sound with the following light combinations :-

Mains fault – on mains failure green power light fades leaving yellow fault light lit only.
Battery fault – yellow fault light and green power light lit.