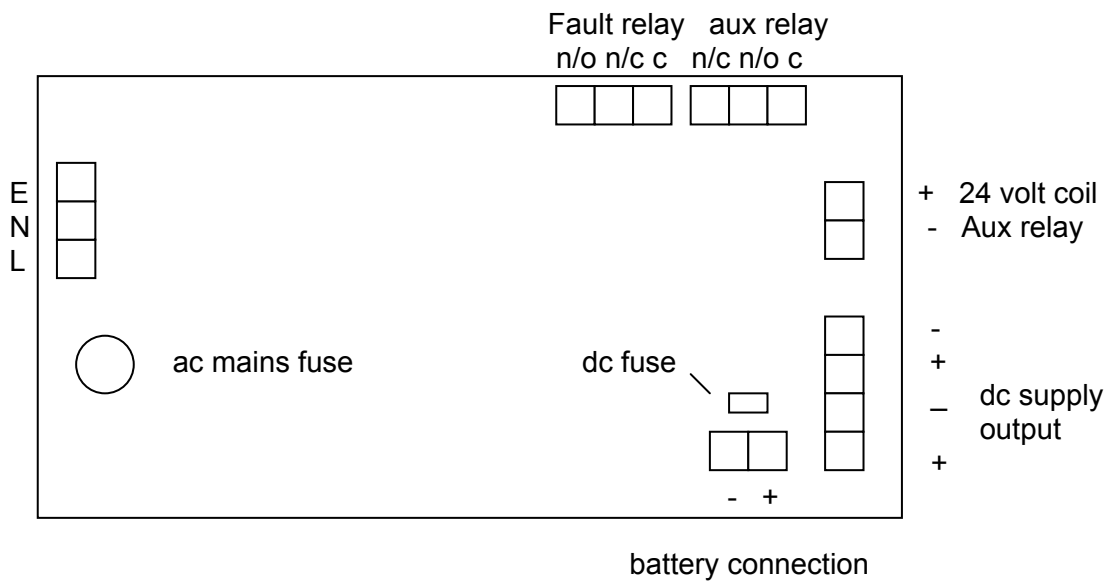


400mA Power Supply Operating Instructions

Connection Diagram



SPECIFICATIONS

400ma 24 volt DC.

Maximum charging capability - 2 x 12 v 3ah batteries

Fault relay with volt free contacts.

Auxilliary relay with volt free contacts rated at 5 amps.