

10A Regulated Power Supply Operating Instructions

SPECIFICATIONS

10Amp 24 volts DC.

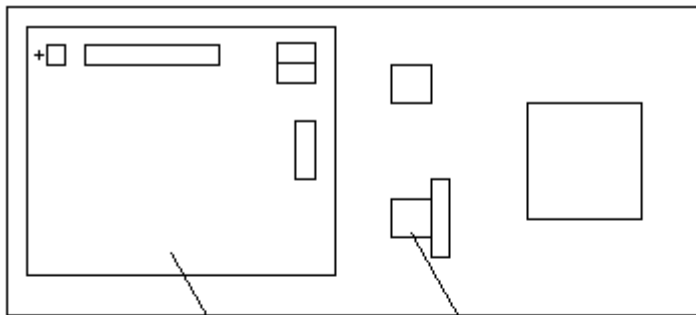
Charging /space capability for two 44ah batteries.

Fault indication with buzzer and mute button.

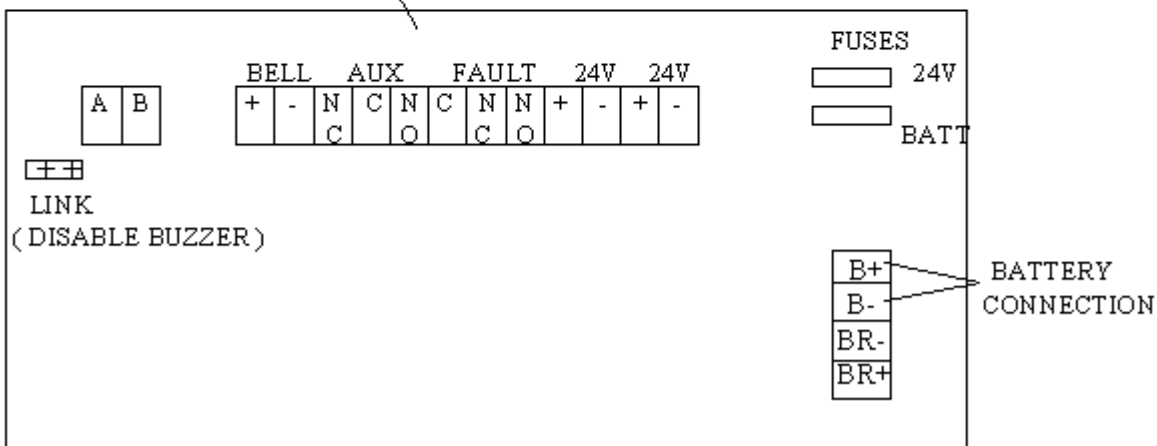
Fault relay with volt free contacts.

Auxiliary relay with volt free contacts rated at 16 amp. Uses eg door magnets, shutters etc.

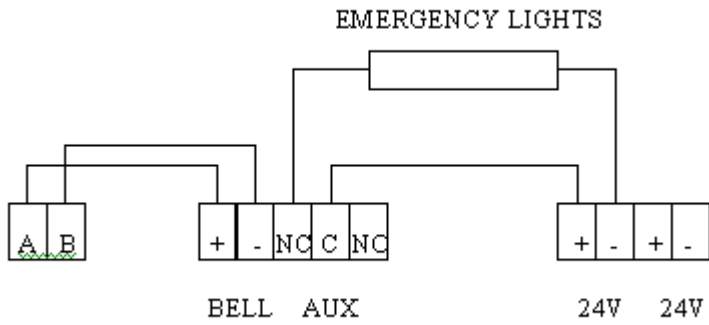
Bell input which operates Aux relay. This is a polarised input, so it can be connected to a sounder line from a fire panel.



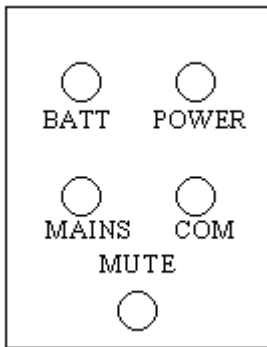
MAINS FUSEBLOCK



A/B Terminals. If connected to Bell I/P as shown below, is used for emergency lighting use via Auxiliary relay contacts. Under normal conditions the Aux relay is energised holding the contacts in a n/o state. If the power fails, the Aux relay de-energises, closing the contacts to n/c giving voltage to the emergency lights direct from the batteries.



## DISPLAY



Power - Supply Healthy.  
Com - Common Fault.  
Batt - Battery Fault.  
Mains - Mains Fault.  
Mute - Silence Buzzer.

In normal condition the power light will be on.

In fault condition, the buzzer will sound with common fault light on, and either batt or mains fault light.

Note: - With Mains fault, the battery fault light will come on first but in approx 30 seconds will fade and the mains fault light will come on.