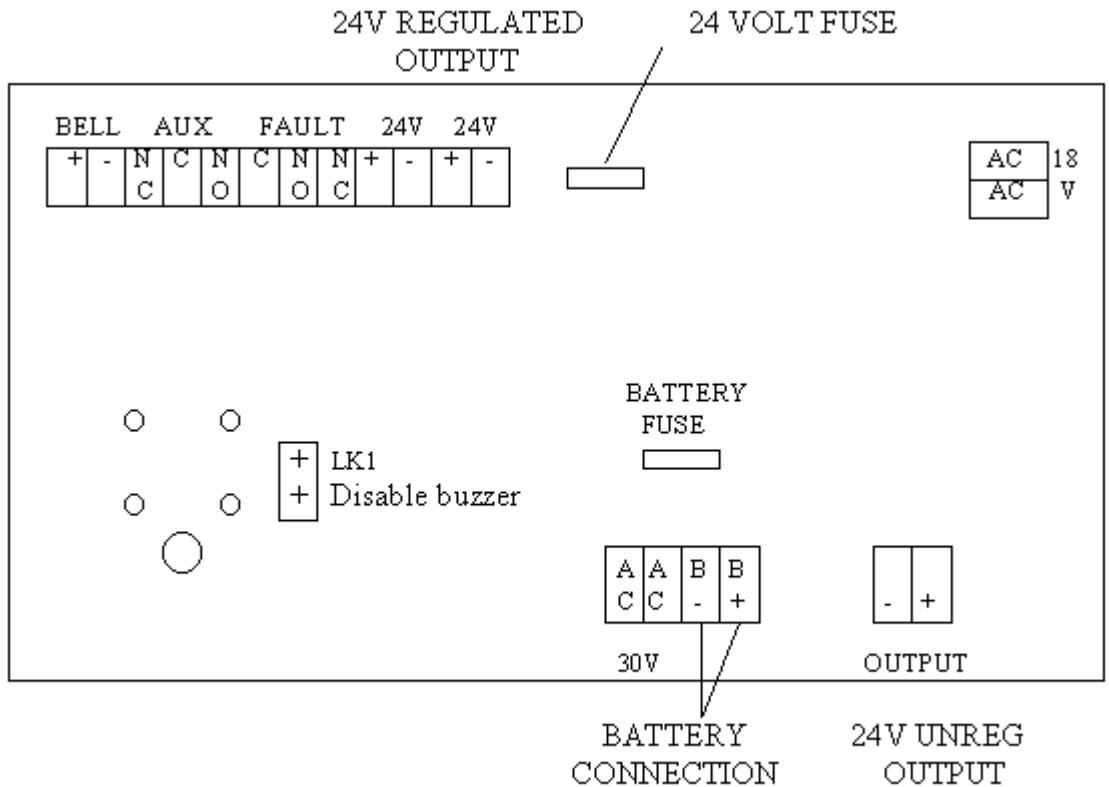


1A Regulated / 4A Unregulated Power Supply Operating Instructions

Board Layout



SPECIFICATIONS

4 Amp 24 volt DC unregulated

1 Amp 24 volt DC regulated

Charging /space capability for two 6ah batteries.

Fault indication with buzzer and mute button.

Fault relay with volt free contacts.

Auxillary relay with volt free contacts rated at 5 amps. Uses eg door magnets, shutters etc.

Bell input which operates Aux relay. This is a polarised input, so it can be connected to a sounder line from a fire panel.

Display

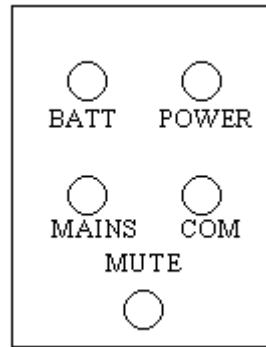
Power - Supply Healthy.

Com - Common Fault.

Batt - Battery Fault.

Mains - Mains Fault.

Mute - Silence Buzzer.



In normal condition the power light will be on.

In fault condition, the buzzer will sound with common fault light on, and either batt or mains fault light.

Note: - With Mains fault, the battery fault light will come on first but in approx 30 seconds will fade and the mains fault light will come on.