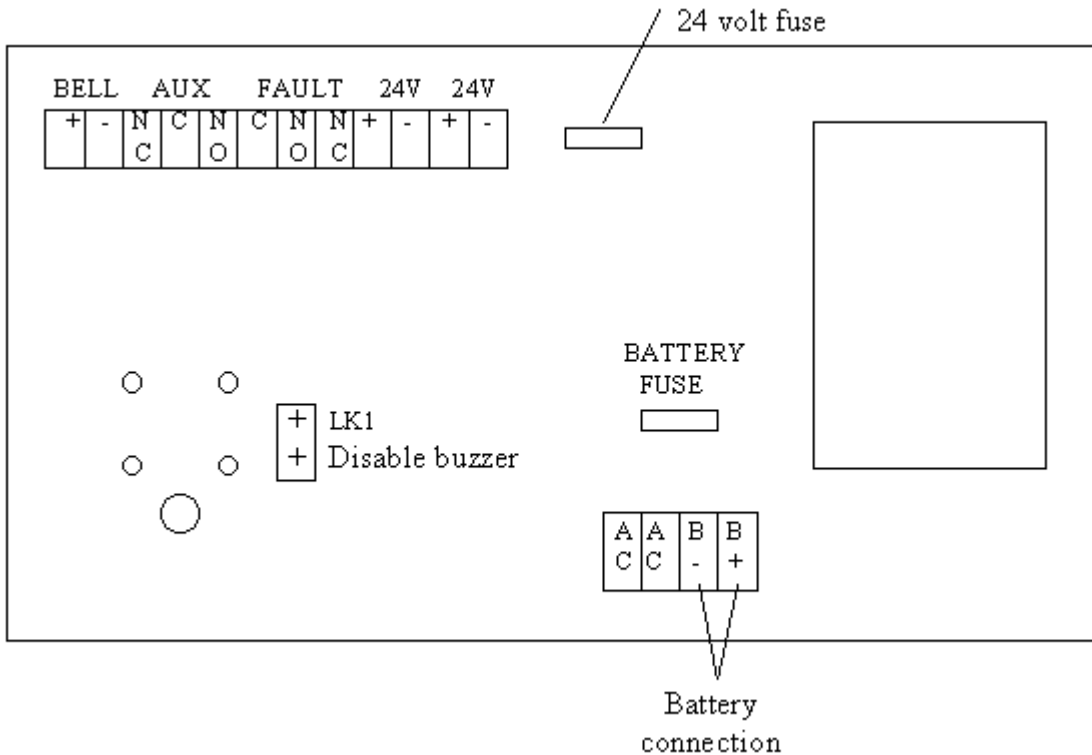


1.5A Regulated Power Supply Operating Instructions

Board Layout



SPECIFICATIONS

1.5 Amp 24 volt DC.

Charging /space capability for two 6ah batteries.

Fault indication with buzzer and mute button.

Fault relay with volt free contacts.

Auxiliary relay with volt free contacts rated at 5 amp. Uses eg door magnets, shutters etc.

Bell input which operates Aux relay. This is a polarised input, so it can be connected to a sounder line from a fire panel.

DISPLAY

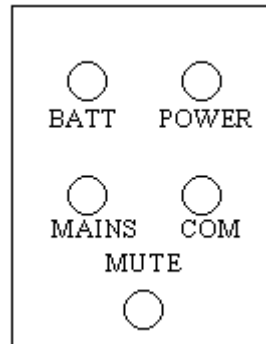
Power - Supply Healthy.

Com - Common Fault.

Batt - Battery Fault.

Mains - Mains Fault.

Mute - Silence Buzzer.



In normal condition the power light will be on.

In fault condition , the buzzer will sound with common fault light on , and either batt or mains fault light.

Note :- With Mains fault , the battery fault light will come on first but in approx 30 seconds will fade and the mains fault light will come on.