

3A Regulated Power Supply Operating Instructions

SPECIFICATIONS

3 Amp 24 volts DC.

Charging /space capability for two 12ah batteries.

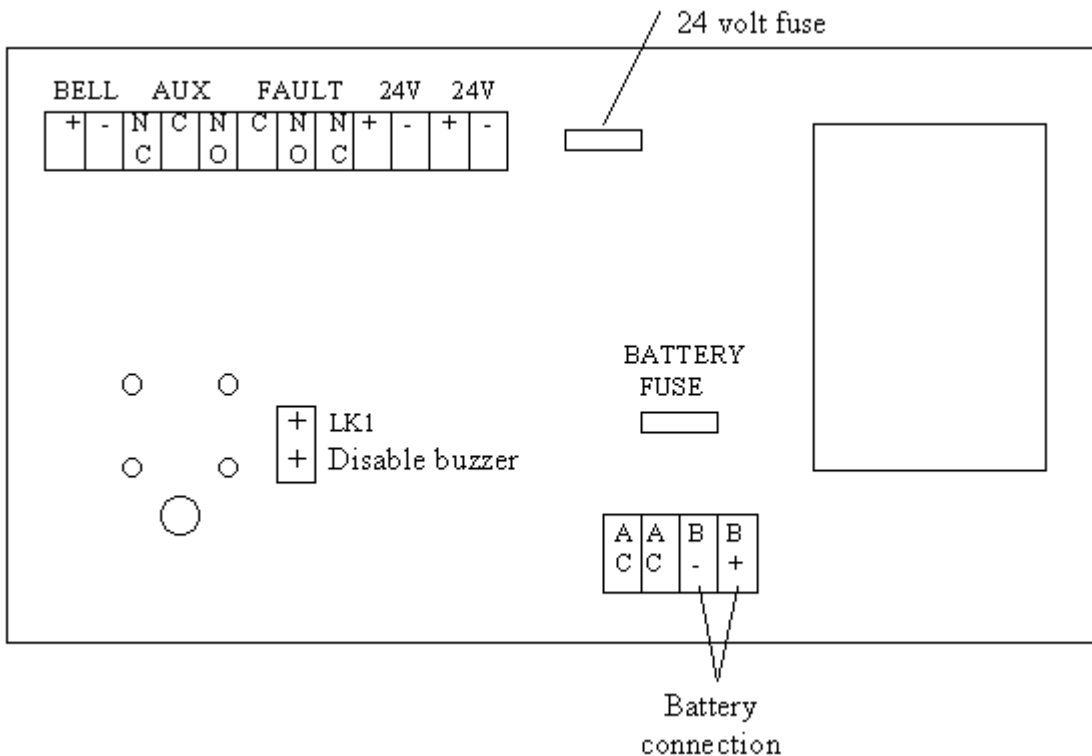
Fault indication with buzzer and mute button.

Fault relay with volt free contacts.

Auxiliary relay with volt free contacts rated at 5 amp. Uses eg door magnets, shutters etc.

Bell input which operates Aux relay. This is a polarised input, so it can be connected to a sounder line from a fire panel.

Board Layout



Display

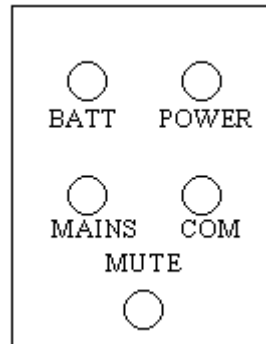
Power - Supply Healthy.

Com - Common Fault.

Batt - Battery Fault.

Mains - Mains Fault.

Mute - Silence Buzzer.



In normal condition the power light will be on.

In fault condition, the buzzer will sound with common fault light on, and either batt or mains fault light.

Note: - With Mains fault, the battery fault light will come on first but in approx 30 seconds will fade and the mains fault light will come on.